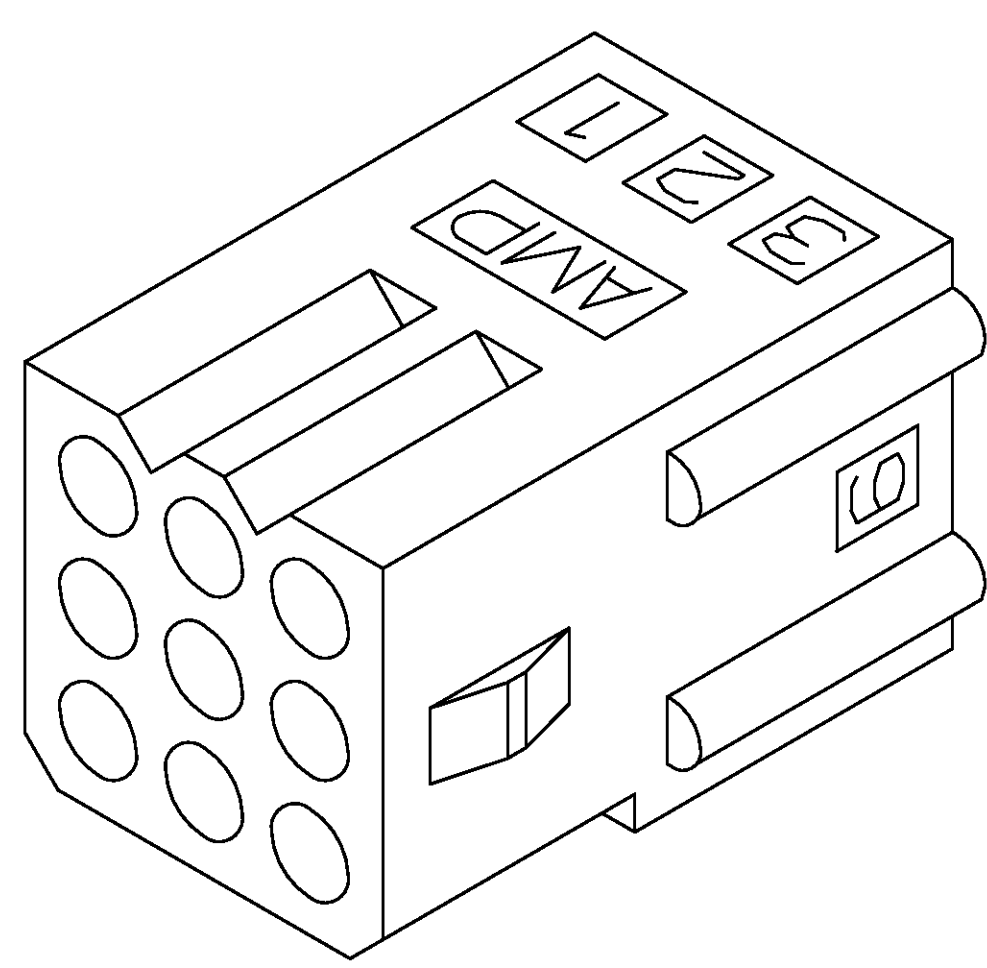
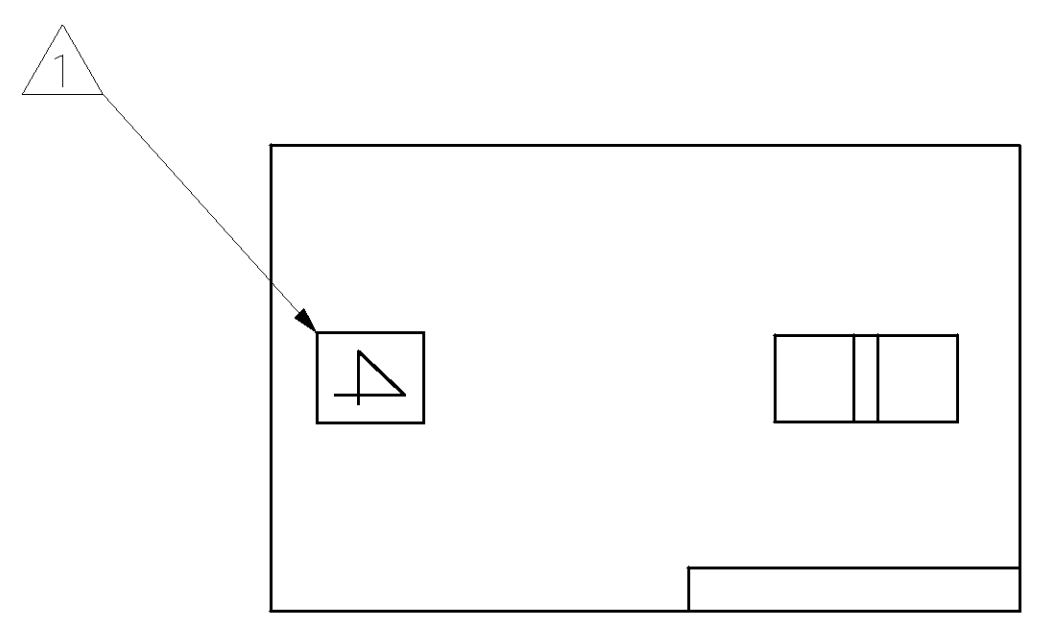
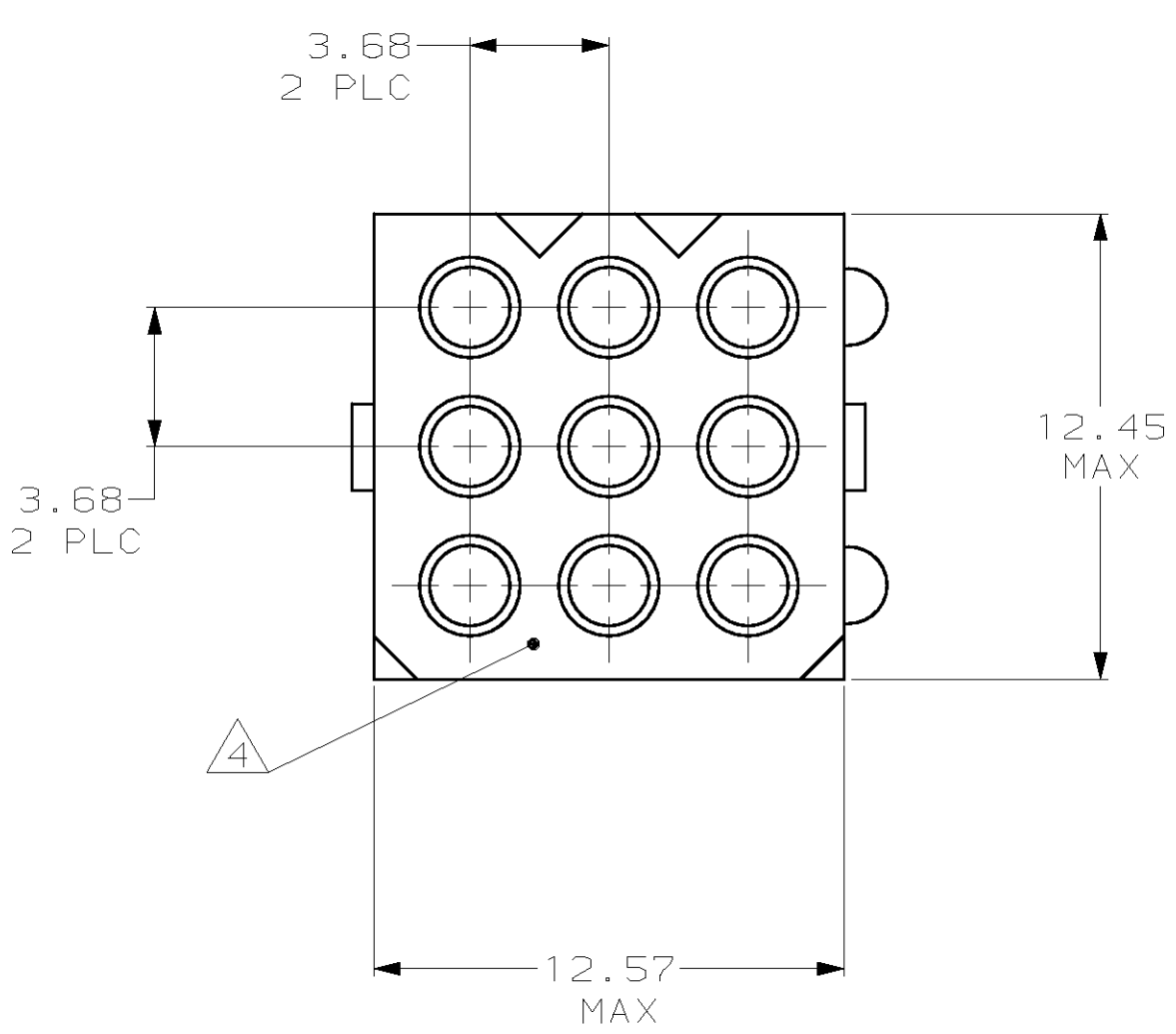
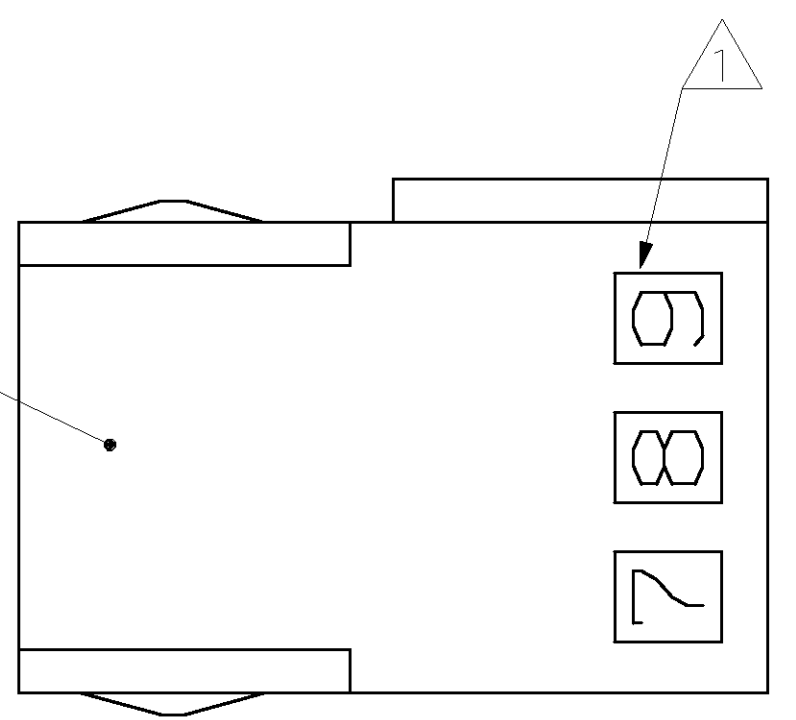
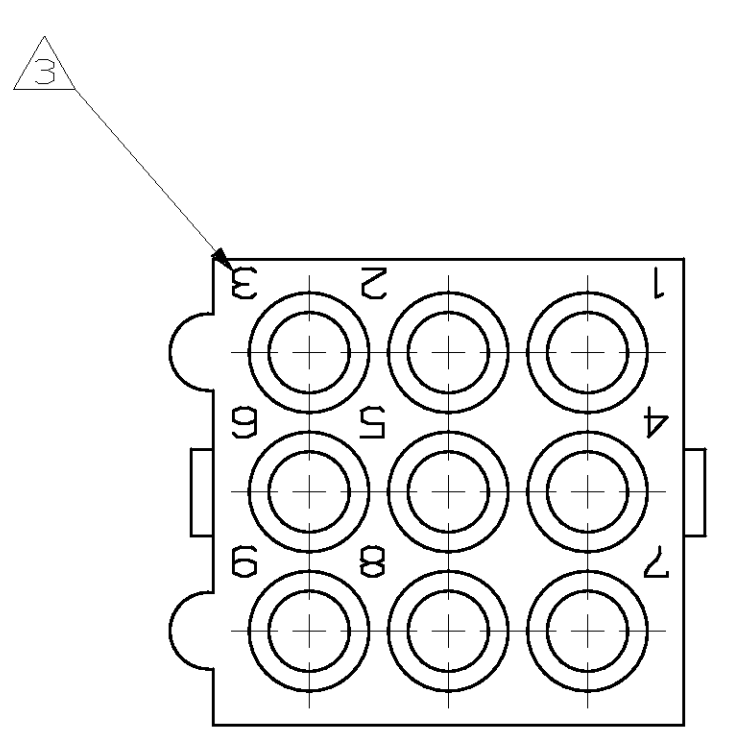
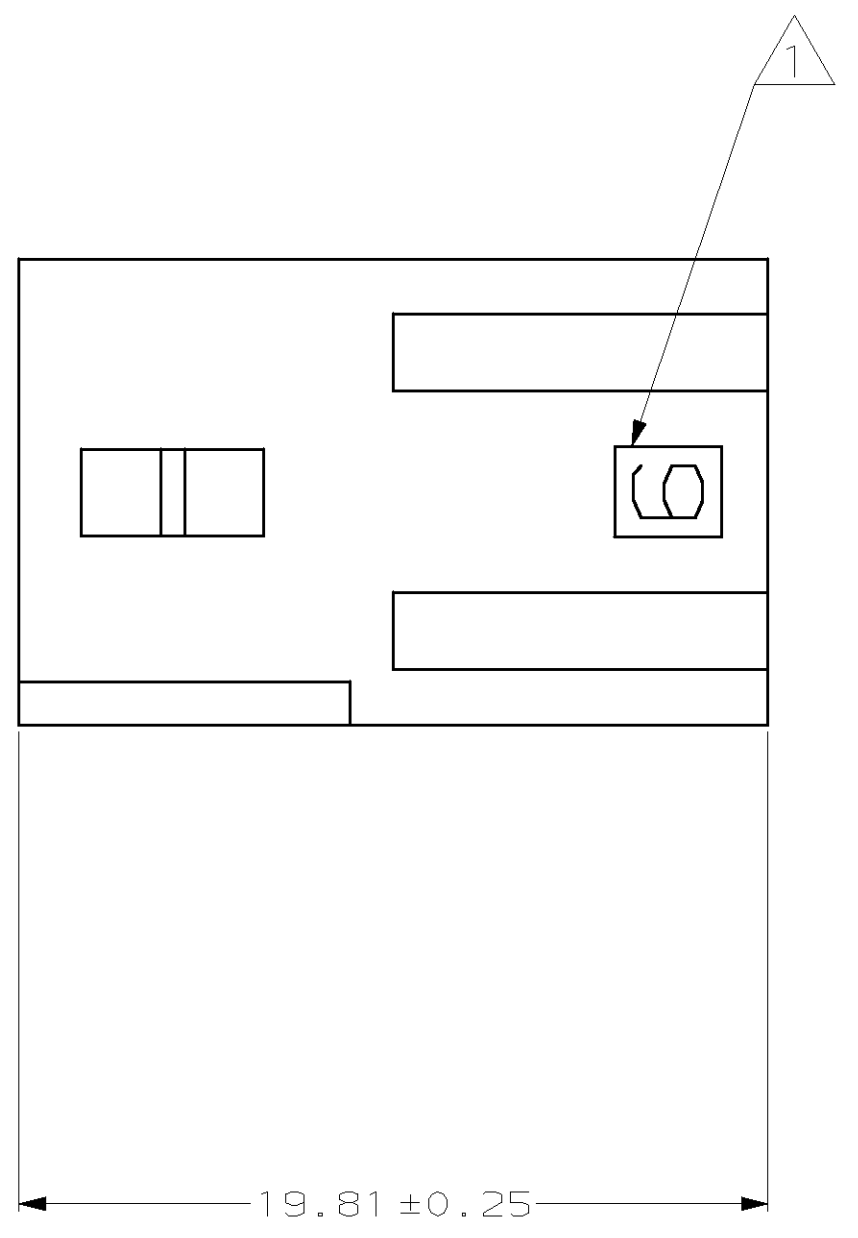
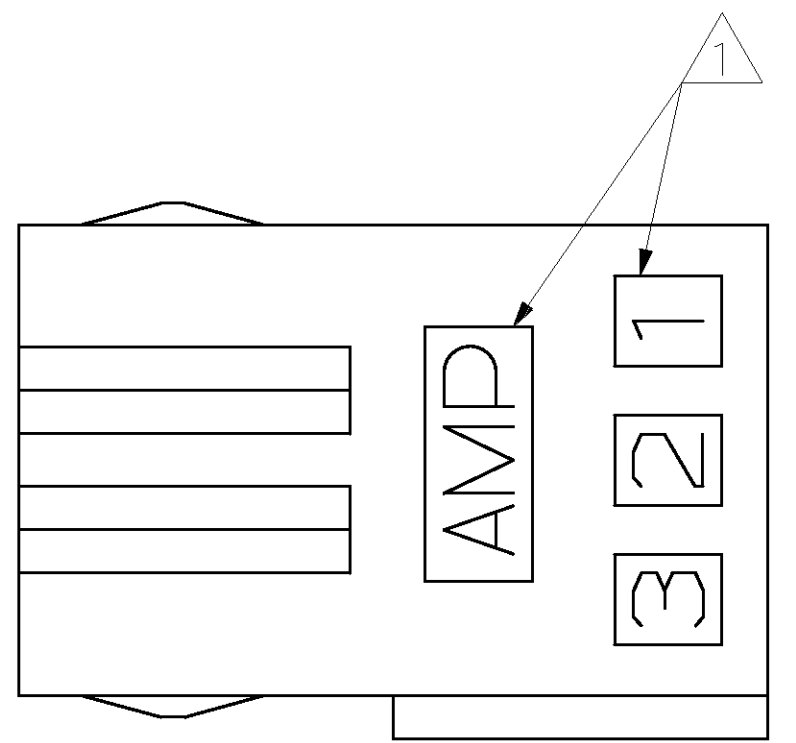


LOC	QTY	REV	DESCRIPTION	DATE	OWN	APVD
CM	53					
C		REV & REDWN	PER EC 0L30-0214-97	10-20-97	KW	RS

- ① AMP LOGO AND CIRCUIT NUMBERS LOCATED APPROXIMATELY AS SHOWN.
- ② CSA LOGO AND UL LOGO LOCATED ON THIS SURFACE.
- ③ CIRCUIT NUMBERS MAY OR MAY NOT APPEAR.
- ④ AMP LOGO MAY OR MAY NOT APPEAR ON THIS SURFACE.



3-DIMENSIONAL MODEL NTS

MM	IN
19.81	.780
12.57	.495
12.45	.490
3.68	.145
1.58	.062
0.25	.010
0.13	.005

CONVERSION TABLE

770429-1  
PART NUMBER

**METRIC**

THIS DRAWING IS A CONTROLLED DOCUMENT.

DIMENSIONS:	TOLERANCES UNLESS OTHERWISE SPECIFIED.	OWN: K. WHITAKER	10-20-97	<b>AMP</b> AMP Incorporated Harrisburg, PA 17105-3608
mm	9 PLC ±.01 2 PLC ±.01 3 PLC ±.013 4 PLC ±.01 ANGLES	CHK: R. SWING	10-20-97	
MATERIAL: NYLON, JL 94V-2, NATURAL	FINISH: -	APVD: K. CORLE	10-20-97	NAME: RECEPTACLE, PANEL MOUNT, 9 CIRCUIT, .062 PIN AND SOCKET
CUSTOMER DRAWING		HEIGHT: -	SCALE: 5:1	SIZE: A1 007799-770429

RESTRICTED TO: -  
SHEET 1 OF 1 REV C